

# Standard 0 to 5 Amp Input Module

## Features

- Provides a single channel of optically-isolated true RMS current-to-digital conversion
- Plugs into any Standard Analog I/O rack and is secured by a captive screw.
- An ideal input is the 5-amp secondary of a standard current transformer used to monitor AC line current



## Description

The AD16T module provides a single channel of optically-isolated true RMS current-to-digital conversion. Modules plug into any Standard Analog I/O rack and are secured by a captive screw. Field connections to the module are made via two terminals on the top of the analog I/O module. The AD16T is

transformer as well as optically-isolated to eliminate any ground loop problems. An ideal input is the 5-amp secondary of a standard current transformer used to monitor AC line current.

## Specifications

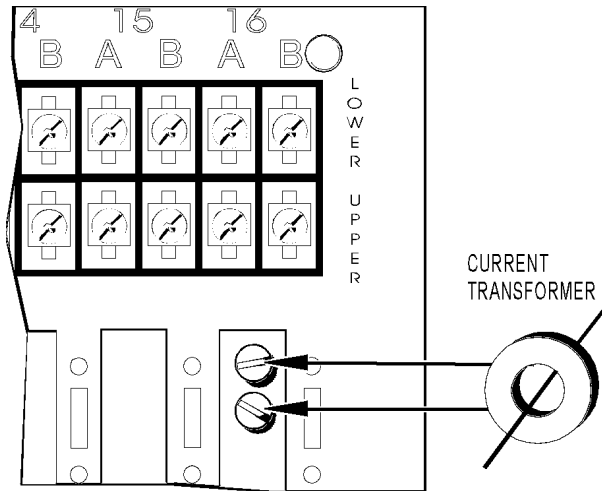
Input	0–5 amps AC/DC
Input Impedance	.02 Ohms
Maximum Input	8 amps AC/DC
Accuracy	±25 mA
Resolution	12 bits
Response Time	Full-scale step change in 100 ms
Isolation Input-to-Analog Supply (T model)	4,000 V <sub>RMS</sub> 4,000 V <sub>RMS</sub>
Power Requirements	35 mA at +15 (+/- 0.25) VDC 35 mA at -15 (+/- 0.25) VDC
Ambient Temperature: Operating Storage	0 to 70 °C - 25° to 85 °C

## Part Numbers

Part	Description
AD16T	28 to 140 VAC Input Isolated

# Standard 0 to 5 Amp Input Module

## Connections



# More About Opto 22

## Products

Opto 22 develops and manufactures reliable, flexible, easy-to-use hardware and software products for industrial automation, energy management, remote monitoring, and data acquisition applications.

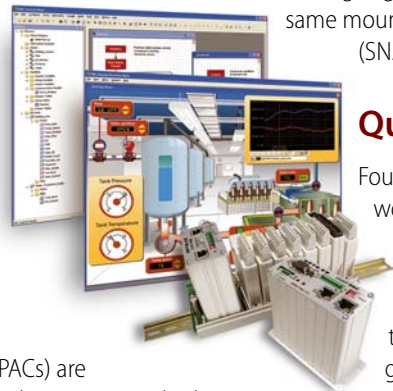
### OptoEMU Energy Management System

The easy-to-use OptoEMU Sensor monitors electrical energy use in your facility and delivers detailed, real-time data you can see and analyze. The Sensor can monitor energy data from pulsing meters, electrical panels or subpanels, and equipment. View energy data online using a software service or incorporate the data into your control system for complete energy management.

### SNAP PAC System

Designed to simplify the typically complex process of selecting and applying an automation system, the SNAP PAC System consists of four integrated components:

- SNAP PAC controllers
- PAC Project™ Software Suite
- SNAP PAC brains
- SNAP I/O™



### SNAP PAC Controllers

Programmable automation controllers (PACs) are multifunctional, modular controllers based on open standards.

Opto 22 has been manufacturing PACs for over two decades. The standalone SNAP PAC S-series and the rack-mounted SNAP PAC R-series both handle a wide range of digital, analog, and serial functions for data collection, remote monitoring, process control, and discrete and hybrid manufacturing.

SNAP PACs are based on open Ethernet and Internet Protocol (IP) standards, so you can build or extend a system easily, without the expense and limitations of proprietary networks and protocols.

### PAC Project Software Suite

Opto 22's PAC Project Software Suite provides full-featured, cost-effective control programming, HMI (human machine interface) development and runtime, OPC server, and database connectivity software for your SNAP PAC System.

Control programming includes both easy-to-learn flowcharts and optional scripting. Commands are in plain English; variables and I/O point names are fully descriptive.

PAC Project Basic offers control and HMI tools and is free for download on our website, PAC Project Professional, available for separate purchase, adds

OptoOPCServer, OptoDataLink, options for controller redundancy or segmented networking, and support for legacy Opto 22 serial *mistic*™ I/O units.

### SNAP PAC Brains

While SNAP PAC controllers provide central control and data distribution, SNAP PAC brains provide distributed intelligence for I/O processing and communications. Brains offer analog, digital, and serial functions, including thermocouple linearization; PID loop control; and optional high-speed digital counting (up to 20 kHz), quadrature counting, TPO, and pulse generation and measurement.

### SNAP I/O

I/O provides the local connection to sensors and equipment. Opto 22 SNAP I/O offers 1 to 32 points of reliable I/O per module, depending on the type of module and your needs.

Analog, digital, and serial modules are all mixed on the same mounting rack and controlled by the same processor (SNAP PAC brain or rack-mounted controller).

## Quality

Founded in 1974, Opto 22 has established a worldwide reputation for high-quality products. All are made in the U.S.A. at our manufacturing facility in Temecula, California. Because we do no statistical testing and each part is tested twice before leaving our factory, we can guarantee most solid-state relays and optically isolated I/O modules for life.

comprehensive technical support for Opto 22 products. Our staff of support engineers represents decades of training and experience. Support is

Additional support is always available on our website: how-to videos, OptoKnowledgeBase, self-training guide, troubleshooting and user's guides, and OptoForums.

In addition, hands-on training is available for free at our

contact Opto 22 headquarters at  
or 951-695-3000, or visit our website at